



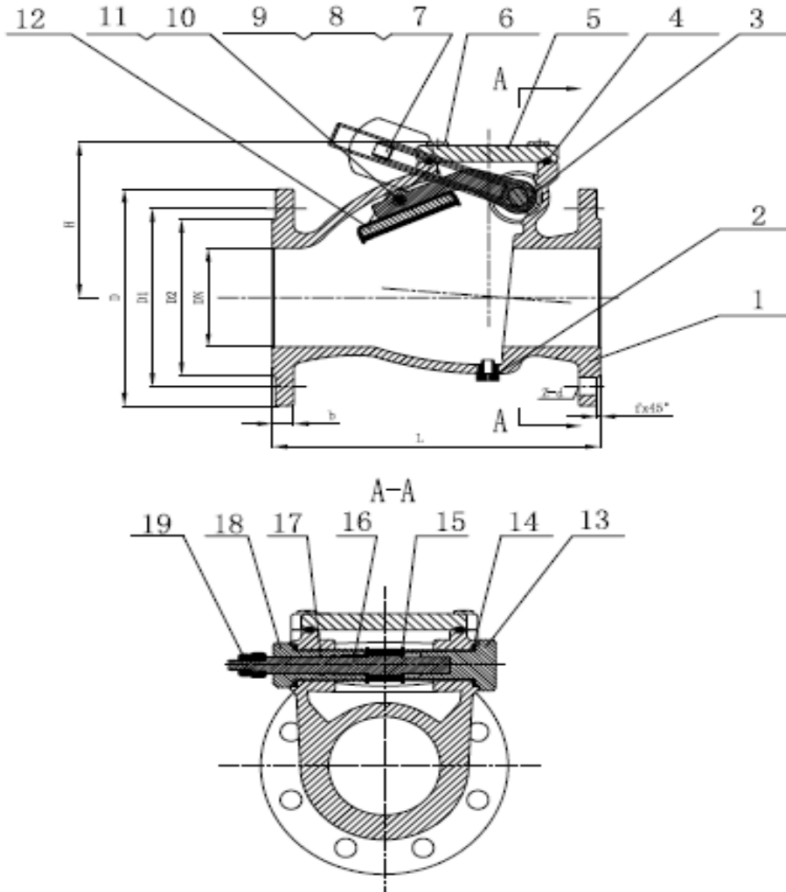
UTILITIES VALVES

Utilities Valves Ltd. UK

Technical Sales & Administration, Invicta House First Avenue, Trecenydd  
 Caerphilly UK CF83 2SD T +44(0)2920 888779 F +44(0)8715 288879 www.utilitiesvalves.com

## Swing Check Valve Rubber Seated DN50 - DN300

TechnicalDataSheet\_SwingCHVTypeUVR5



**Design to EN BS5153, DIN3202 F6**

**Face to face dimension in accordance to EN BS5153**

**Flange drilling to BS4504 PN10 / PN16,  
 DIN2501 PN10 / PN16**

**Tests:** Hydraulic test to BS6755 Part 1

**Application:** For potable water, sewage and neutral liquids to maximum 70°C

**Coating:** Fusion bonded epoxy coating internally and externally minimum 250µm

DN	Size in "	D	D1	D2	L	b	f	z-d	H	19	18	17	16	15	14	13	12	11	10	9	8	7	6	5	4	3	2	1
50	2	165	125	102	203	19	3	4 - 19	120	Nut	Side Plug	O-Ring	Shaft	Bush	Bonnet Gasket	Side Plug	Disc	Clip	Hinge Pin	Lever Screw	Weight	Lever	Bonnet Bolts	Bonnet	O-Ring	Hinge	Drain Plug	Body
80	3	200	160	138	241	19	3	8 - 19	140	Stainless Steel	Bronze	NBR/EPDM	Stainless Steel	Stainless Steel	NBR/EPDM	Bronze	Ductile Iron -Rubber	Stainless Steel	Stainless Steel	Stainless Steel	Ductile Iron	Ductile Iron	Stainless Steel	Ductile Iron	Ductile Iron	Carbon Steel	Ductile Iron	
100	4	220	180	158	292	19	3	8 - 19	160	1	1	2	1	-	1	1	1	1	1	1	1	1	1	1	1	1	1	1
150	6	285	240	212	356	19	3	8 - 23	200	1	1	2	1	-	1	1	1	1	1	1	1	1	1	1	1	1	1	1
200	8	340	295	268	495	20	3	12 - 23	250	1	1	2	1	-	1	1	1	1	1	1	1	1	1	1	1	1	1	1
250	10	405	355	320	622	22	3	12 - 28	290	1	1	2	1	-	1	1	1	1	1	1	1	1	1	1	1	1	1	1
300	12	460	410	378	698	24,5	4	12 - 28	330	1	1	2	1	-	1	1	1	1	1	1	1	1	1	1	1	1	1	1



Item	Name of Part	Material	Qty
19	Nut	Stainless Steel	1
18	Side Plug	Bronze	1
17	O-Ring	NBR/EPDM	2
16	Shaft	Stainless Steel	1
15	Bush	Stainless Steel	-
14	Bonnet Gasket	NBR/EPDM	1
13	Side Plug	Bronze	1
12	Disc	Ductile Iron -Rubber	1
11	Clip	Stainless Steel	1
10	Hinge Pin	Stainless Steel	1
9	Lever Screw	Stainless Steel	1
8	Weight	Ductile Iron	1
7	Lever	Ductile Iron	1
6	Bonnet Bolts	Stainless Steel	-
5	Bonnet	Ductile Iron	1
4	O-Ring	NBR/EPDM	1
3	Hinge	Ductile Iron	1
2	Drain Plug	Carbon Steel	1
1	Body	Ductile Iron	1