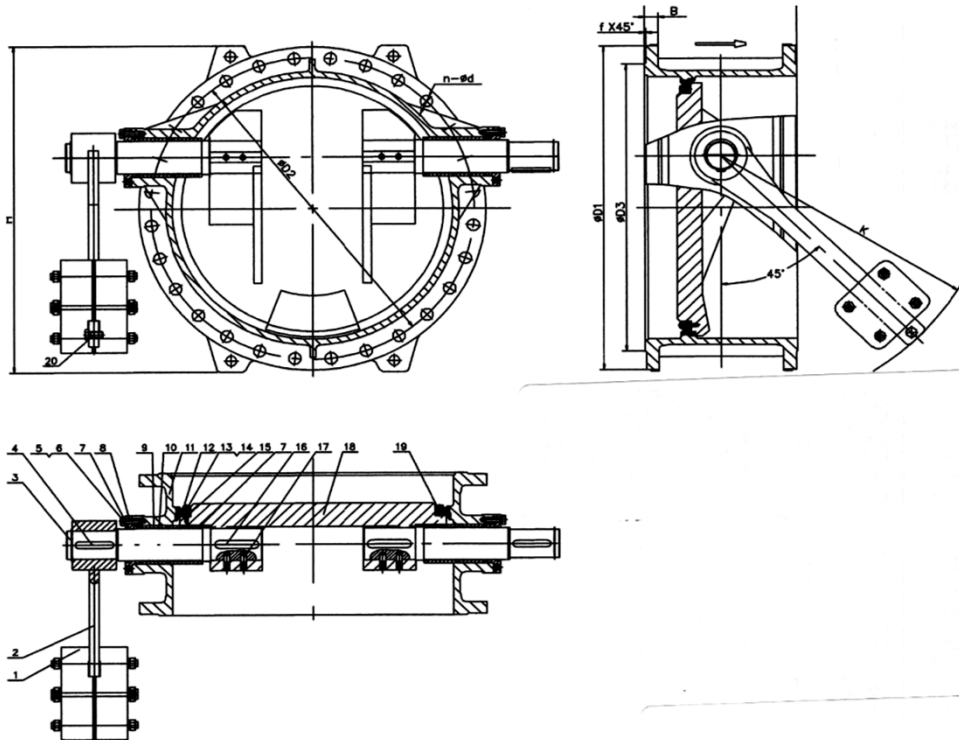


## Tilting Disc Check Valve, Type TDCV, DN300-DN1200

TechnicalData\_TDCV\_BSDN300-1200

### Technical Requirements:

1. Design in accordance to BS5153
2. Flange connection in accordance to EN1092.2, PN10 / PN16
3. Face to face in accordance to ISO5752 series 14
4. Pressure test in accordance to EN12266
5. Epoxy coated inside and outside minimum thickness of 300µm



No	Part Name	Material
1	Counterweight	HT250
2	Lever	Q235 weld.
3	Shaft	SS420
4	Key	SS420
5	Bolt	A2-70
6	Washer	A2
7	O-Ring	EPDM
8	Cover	SS304
9	Bush	SS304
10	Self-lubricated bearing	PTFE & SS304
11	Body	GGG40/SS304
12	Retainer ring	SS304
13	Screw	A2-70
14	Washer	A2
15	Disc seal ring	EPDM(WRAS)
16	Key	SS420
17	Pin	SS420
18	Disc	GGG40/FBE
19	Srew	A2-70
20	Bolt	A2-70

Performance Table		
PN		1,6 (1,0)
Pressure test	Shell test	2,4 (1,5)
	Seal test	1,76 (1,1)
Working temp.		-10 to 80°C
Suiteable medium: water, oil, etc.		

### Measurements

DN	B (mm)	D1 (mm)	D2		D3		n-d		fx45° (mm)	H (mm)	L (mm)	K (mm)
			PN10	PN16	PN10	PN16	PN10	PN16				
300	24,5	460	400	410	370	370	12-23	12-28	4x45°	470	270	300
400	28,0	580	515	525	480	480	16-28	16-31	4x45°	590	310	400
500	31,5	715	620	650	582	609	20-28	20-34	4x45°	725	350	500
600	36,0	840	725	770	682	720	20-31	20-37	5x45°	850	390	600
700	39,5	910	840	840	794	794	24-31	24-37	5x45°	920	430	700
800	43,0	1.025	950	950	901	901	24-34	24-41	5x45°	1.035	470	800
900	46,5	1.125	1.050	1050	1001	1.001	28-34	28-41	5x45°	1.135	510	880
1.000	50,0	1.255	1.160	1.170	1.112	1.112	28-37	28-44	5x45°	1.265	550	1.000
1.200	57,0	1.485	1.380	1.390	1.328	1.328	32-41	32-50	5x45°	1.495	630	1.200

UV Ltd. reserves the right to change product design and specification without notice

**Note:** PN10 & PN16 do have same dimensions except flange drilling

Utilities Valves Ltd., Head Office, 4 Cedar Park, Cobham Road, Ferndown Industrial Estate, Wimborne, Dorset, UK BH21 7SF

Phone: +44(0)1202 875900, +44(0)7881 637135

European Technical Sales & Customer Service, Schöllerweg 4, D-42327 Wuppertal, Germany

Tel.: +49(0)2058 7820777, Mobil: +49(0)1578 7902617, Fax: +49(0)2058 7750833, E-Mail: info@utilitiesvalves.com, Web: www.utilitiesvalves.com