



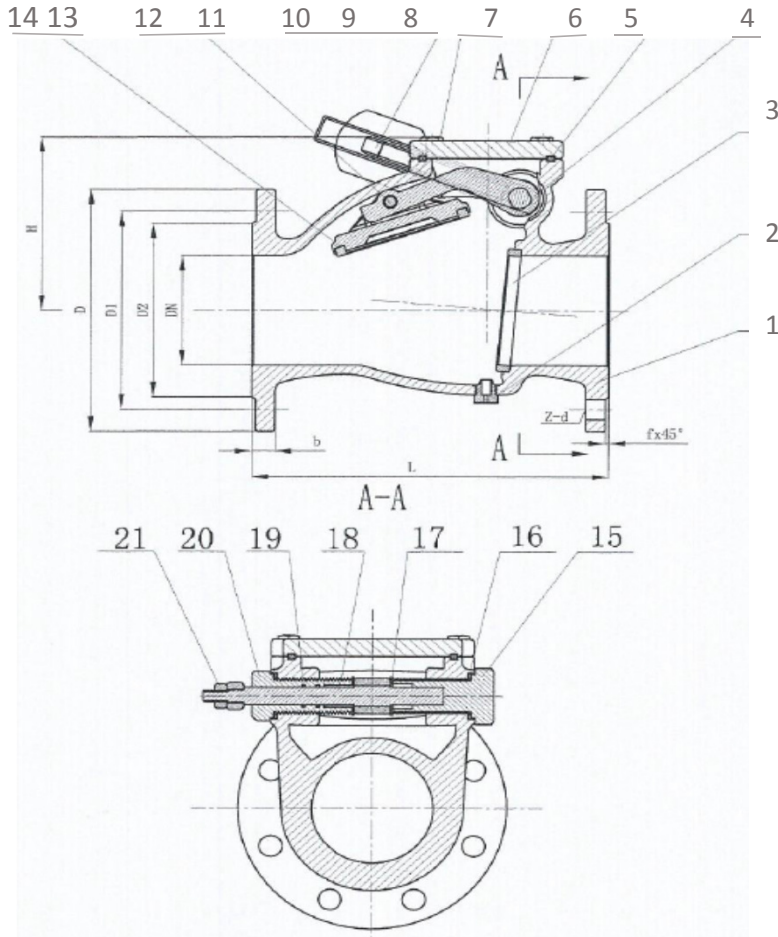
UTILITIES VALVES

Utilities Valves Ltd. UK

Technical Sales & Administration, Invicta House First Avenue, Trecenydd
 Caerphilly UK CF83 2SD T +44(0)2920 888779 F +44(0)8715 288879 www.utilitiesvalves.com

Swing Check Valve Metal Seated DN50 - DN300

TechnicalDataSheet_SwingCHVTypeUVM5



Design to EN BS5153, DIN3202 F6

Face to face dimension in accordance to EN BS5153

**Flange drilling to BS4504 PN10 / PN16,
 DIN2501 PN10 / PN16**

Tests: Hydraulic test to BS6755 Part 1

Application: For potable water, sewage and neutral liquids to maximum 70°C

Coating: Fusion bonded epoxy coating internally and externally minimum 250µm

DN	Size in "	D	D1	D2	L	b	f	z-d	H
50	2	165	125	102	203	19	3	4 - 19	120
80	3	200	160	138	241	19	3	8 - 19	140
100	4	220	180	158	292	19	3	8 - 19	160
150	6	285	240	212	356	19	3	8 - 23	200
200	8	340	295	268	495	20	3	12 - 23	250
250	10	405	355	320	622	22	3	12 - 28	290
300	12	460	410	378	698	24,5	4	12 - 28	330



21	Nut	Stainless Steel	1
20	Side Plug	Bronze	1
19	O-Ring	NBR/EPDM	2
18	Shaft	Stainless Steel	1
17	Washer	Stainless Steel	-
16	Bonnet Gasket	NBR/EPDM	1
15	Side Plug	Bronze	1
14	Disc Seal Ring	Bronze	1
13	Disc	Ductile Iron	1
12	Clip	Stainless Steel	1
11	Hinge Pin	Stainless Steel	1
10	Lever Screw	Stainless Steel	1
9	Weight	Ductile Iron	1
8	Lever	Ductile Iron	1
7	Bonnet Bolts	Stainless Steel	-
6	Bonnet	Ductile Iron	1
5	O-Ring	NBR/EPDM	1
4	Hinge	Ductile Iron	1
3	Body Seal Ring	Bronze	1
2	Drain Plug	Carbone Steel	1
1	Body	Ductile Iron	1
Item	Name of Part	Material	Qty