

Air Valve – Double Orifice, Triple Function – Anti - Shock

PN16 Temp –10°C to 70°C DN50 to DN300

Tel. +44 (0)1788 229 937
sales@utilitiesvalves.com
www.utilitiesvalves.com



Features

- Flow Media – Clean Water
- Applications – Water systems, firefighting and irrigation systems
- Flange Drilling in accordance to BS EN1092-2
- Manufacturing standards meets BS EN 1074-4 and AWWA C512
- Also available in PN25 & PN40
- Body Ductile Iron
- Fasteners Stainless Steel
- Strong Float to prevent damage during water hammer
- No Arms or levers – prevents vibrating, bending of the float
- Smooth cage outside of float to keep float moving in guide rail
- Bottom rubber buffer for collision prevention
- Outside screen to prevent ingress of insects etc
- Fully FBE coated inside and outside 250 µm
- Anti-Shock device



Technical information

WRAS approved materials
for use with potable water

Manufacture

BS EN ISO 9001:2015 QMS
ISO 14001:2004 EMS

Design Standard

BS EN 1074 -4
AWWA C512

WRAS Approved Materials

Air Valve – Double Orifice, Triple Function – Anti - Shock

PN16 Temp -10°C to 70°C DN50 to DN300

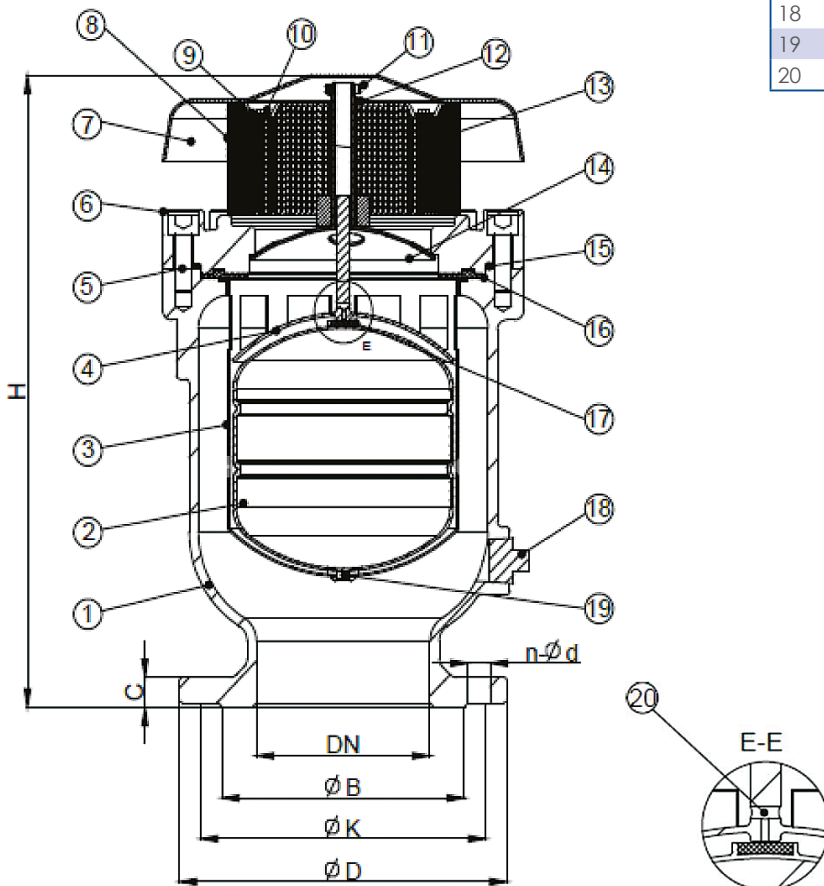
Tel. +44 (0)1788 229 937
sales@utilitiesvalves.com
www.utilitiesvalves.com



Dimensions table

| DN | Overall Dimensions | | | | | | | |
|-----|--------------------|-----|-----|--------|-----|---|------|--------|
| | D | K | H | n-d | G | f | T | n-d |
| 50 | 165 | 125 | 310 | 4-Ø19 | 212 | 3 | 19 | 4-Ø19 |
| 80 | 200 | 160 | 382 | 8-Ø19 | 320 | 3 | 22 | 8-Ø19 |
| 100 | 220 | 180 | 420 | 8-Ø23 | 378 | 4 | 24.5 | 8-Ø19 |
| 150 | 285 | 240 | 520 | 8-Ø23 | 490 | 4 | 28 | 8-Ø19 |
| 200 | 340 | 295 | 630 | 12-Ø23 | 550 | 4 | 30 | 12-Ø23 |
| 300 | 460 | 410 | 800 | 12-Ø28 | 725 | 5 | 36 | 12-Ø28 |

Utilities Valves reserves the right to change product design and specification without notice.



Materials List

| No. | Name | Material |
|-----|-------------------|--------------------------------|
| 1 | Body | Ductile Iron EN-GJS-500-7 |
| 2 | Float | Stainless Steel 1.4301 (SS304) |
| 3 | Guide Barrel | Stainless Steel 1.4301 (SS304) |
| 4 | Sealing Arc | Stainless Steel 1.4301 (SS304) |
| 5 | Fasteners | Stainless Steel A2-70 |
| 6 | Bonnet | Ductile Iron EN-GJS-500-7 |
| 7 | Cover | Carbon Steel - FBE Coated |
| 8 | Screen | Stainless Steel 1.4301 (SS304) |
| 9 | Washer | Stainless Steel A2-70 |
| 10 | Hex Bolt | Stainless Steel A2-70 |
| 11 | Nut | Stainless Steel A2-70 |
| 12 | Spring | Stainless Steel 1.4301 (SS304) |
| 13 | Pillar | Aluminium |
| 14 | Anti-Shock Device | Stainless Steel 1.4301 (SS304) |
| 15 | O-Ring | EPDM |
| 16 | Seat | EPDM |
| 17 | Nozzle Seat | EPDM |
| 18 | Plug (option) | Stainless Steel 1.4301 (SS304) |
| 19 | Buffer | EPDM |
| 20 | Small Nozzle | Stainless Steel 1.4301 (SS304) |