

Air Valve – Double Orifice, Triple Function – Reduced Bore

PN10, 16, 25 & 40 Temp –10°C to 80°C
DN50 to DN300

Tel. +44 (0)1788 229 937
sales@utilitiesvalves.com
www.utilitiesvalves.com



Features

- Flow Media – Clean Water
- Applications –Water systems, firefighting and irrigation systems
- Flange Drilling in accordance to BS EN1092-2
- Manufacturing standards meets BS EN 1074-4 and AWWA C512
- Also available in PN10, PN16 & PN40
- Body Ductile Iron
- Fasteners Stainless Steel
- Strong Float to prevent damage during water hammer
- No Arms or levers – prevents vibrating, bending of the float
- Smooth cage outside of float to keep float moving in guide rail
- Bottom rubber buffer for collision prevention
- Outside screen to prevent ingress of insects etc
- Fully FBE coated inside and outside 250 µm



Technical information

WRAS approved materials
for use with potable water

Manufacture

BS EN ISO 9001:2015 QMS
ISO 14001:2004 EMS

Design Standard

BS EN 1074 -4
AWWA C512

WRAS Approved Materials

Air Valve – Double Orifice, Triple Function – Reduced Bore

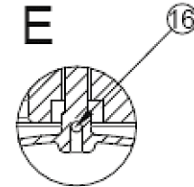
PN10, 16, 25 & 40 Temp –10°C to 80°C
DN50 to DN300

Tel. +44 (0)1788 229 937
sales@utilitiesvalves.com
www.utilitiesvalves.com



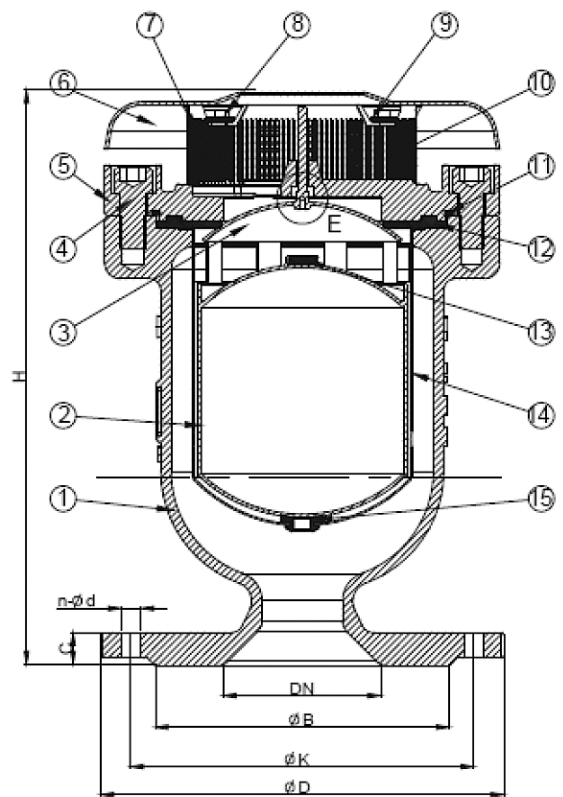
Selection Table

Water flow rate range Max CMH (m3/Hour)	1360	4160	8500	19100	33400
Main pipe Size mm	200-400	400-700	750-1000	1050-1500	1500-2000
Inlet Size mm	80	100	150	200	300
Bore of Outlet mm	75	95	130	170	230
Small orifice size mm	1.6	2	2.5	3	4



Materials List

No.	Name	Material
1	Body	Ductile Iron EN-GJS-500-7
2	Float	Stainless Steel 1.4301 (SS304)
3	Sealing Arc	Stainless Steel 1.4301 (SS304)
4	Fasteners	Stainless Steel A2-70
5	Bonnet	Ductile Iron EN-GJS-500-7
6	Cover	Carbon Steel - FBE Coated
7	Screen	Stainless Steel 1.4301 (SS304)
8	Fastener	Stainless Steel A2-70
9	Washer	Stainless Steel A2-70
10	Pillar	Aluminium
11	O-Ring	EPDM
12	Seat	EPDM
13	Nozzle Seat	EPDM
14	Guide Barrel	Stainless Steel 1.4301 (SS304)
15	Buffer	EPDM
16	Small Nozzle	Stainless Steel 1.4301 (SS304)



Dimensions table

DN	ØB			ØD			ØK				H	n-Ød			
	PN10/16	PN25	PN40	PN10/16	PN25	PN40	PN10	PN16	PN25	PN40		PN10	PN16	PN25	PN40
50	99	99	102	165	165	165	125	125	125	125	202	4-Ø19	4-Ø19	4-Ø19	4-Ø19
80	132	132	138	200	200	200	160	160	160	160	294	8-Ø19	8-Ø19	8-Ø19	8-Ø19
100	156	156	162	220	220	235	180	180	190	190	361	8-Ø19	8-Ø19	8-Ø23	8-Ø23
150	211	211	218	285	285	300	240	240	250	250	404	8-Ø23	8-Ø23	8-Ø28	8-Ø28
200	266	274	285	340	360	375	295	295	310	320	487	8-Ø23	12-Ø23	12-Ø28	12-Ø31
300	370	389	N/A	445	485	N/A	400	410	430	N/A	602	12-Ø23	12-Ø28	16-Ø31	N/A

Utilities Valves reserves the right to change product design and specification without notice.

