

Basket Strainer

PN16 Temp -10°C to 70°C

DN50 to DN500

Tel. +44 (0)1788 229 937
 sales@utilitiesvalves.com
 www.utilitiesvalves.com



Technical Information

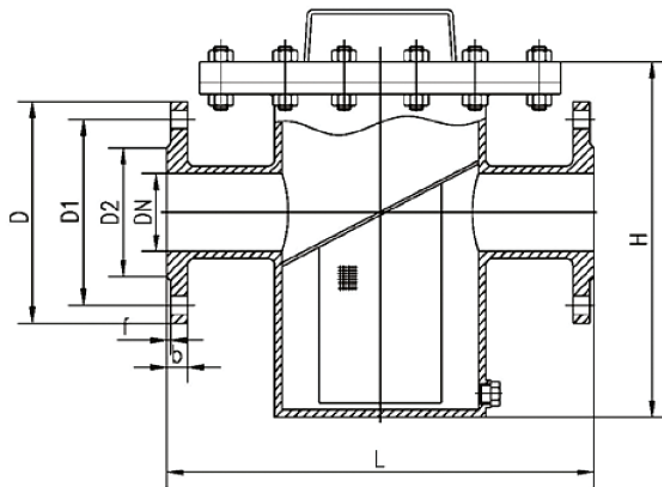
Protection: FBE WRAS Approved

Flanges: EN1092 PN16

Filter Size: Default 20 mesh

Materials List

No.	Name	Material
1	Body	Carbon Steel - Epoxy Coated
2	Cover	Carbon Steel - Epoxy Coated
3	Basket	SS304
4	Nuts	A2-70
5	Bolts	A2-70



Dimensions Table

DN	L	H	ØD	ØD1	ØD2	f	b	n - Ød
50	260	300	165	125	99	2	20	4 - Ø18
65	330	360	185	145	118	2	20	4 - Ø18
80	340	400	200	160	132	2	20	8 - Ø18
100	400	470	220	180	156	2	22	8 - Ø18
125	480	550	250	210	184	2	22	8 - Ø18
150	500	630	285	240	211	2	24	8 - Ø22
200	560	780	340	295	266	2	24	12 - Ø22
250	660	930	405	355	319	2	26	12 - Ø26
300	750	1200	460	410	370	2	28	12 - Ø26
400	850	1400	580	525	485	2	30	16 - Ø30
450	1000	1710	640	585	548	2	32	20 - Ø30
500	1080	1910	715	650	609	2	34	20 - Ø33

Utilities Valves reserves the right to change product design and specification without notice.

WRAS Approved Materials

WRAS approved materials
 for use with potable water