

Butterfly Valve – Double Eccentric, Resilient Seated

PN25 Temp –10°C to 70°C DN200 to DN1600

Tel. +44 (0)1788 229 937
sales@utilitiesvalves.com
www.utilitiesvalves.com



- Double Eccentric Disc – Low Torque, Low Wear
 - Welded Body Seat Ring Stainless Steel – Reliable and durable performance
 - Robust Buried Service Worm Gear Box, IP 67. IP68 available on request
 - Streamlined low profile Disc – Small Head loss
 - Disc to Shaft Connection – Keyway or Taper Pin
 - T profiled disc seal ring –easy adjustment
 - Multiple shaft O rings – Long life & sealing performance
 - Rapid Disc disengagement from seat
 - Body & Disc Ductile Iron GGG50
 - Self Lubricating Bronze Bearings maintenance free
 - Body & Disc Coated 250 µm FBE
 - Fasteners Stainless Steel
- Available with a wide range of gearbox options including buried duty, cap top, handwheel and actuated.



Technical information

WRAS approved materials
for use with potable water

WRAS Approved Materials

Manufacture

BS EN ISO 9001:2015 QMS
ISO 14001:2004 EMS

Design Standard

EN593 & BS5155
F/F EN558 Series 14

Butterfly Valve – Double Eccentric, Resilient Seated

PN25 Temp –10°C to 70°C DN200 to DN1600

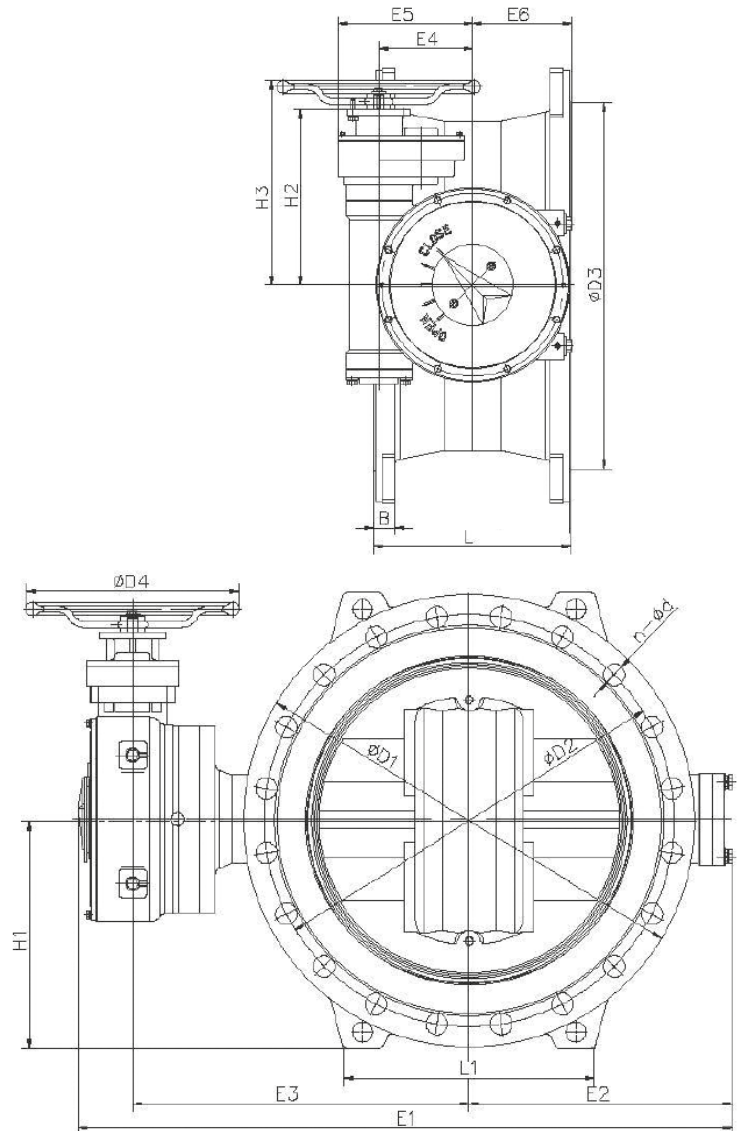
Tel. +44 (0)1788 229 937
 sales@utilitiesvalves.com
 www.utilitiesvalves.com



Materials List

Name	Material
Upper Shaft	Stainless Steel 1.4021 (SS420)
Key	Stainless Steel 1.4021 (SS420)
Packing Gland	Carbon Steel
Connection Flange	Carbon Steel
Shaft Bearing	Aluminium Bronze
O ring	EPDM
Pin	Stainless Steel 1.4021 (SS420)
Body	Ductile Iron EN-GJS-500-7
Disc	Ductile Iron EN-GJS-500-7
Retainer Ring	Stainless Steel 304
Disc Seal Ring	EPDM
Lower Shaft	Stainless Steel 1.4021 (SS420)
End Cover	Carbon Steel
Body Seal Ring	Stainless Steel 304
Fasteners	Stainless Steel A2-70

Utilities Valves reserves the right to change product design and specification without notice



Dimensions table

DN	D1	D2	D3	B	n-d	H1	H2	H3	E1	E2	E3	E4	E5	E6	L1	D4	L
200	360	310	274	22	12-Ø28	190	178	233	586	221	300	93.4	135	115	220	320	230
250	425	370	330	25	12-Ø31	220	178	233	656	254	337	93.4	135	115	260	320	250
300	485	430	389	28	16-Ø31	250	192	283	757	296	377	120	169	138	300	400	270
350	555	490	448	30	16-Ø34	285	317	378	830	318	430	120	186	138	320	400	310
400	620	550	503	32	16-Ø37	315	315	376	945	370	486	148	214	166	350	400	310
450	670	600	548	34.5	20-Ø37	340	315	376	991	406	496	148	214	166	370	400	330
500	730	660	609	37	20-Ø37	370	346	407	1112	453	554	185	265	196	410	400	350
600	845	770	720	42	20-Ø41	427.5	346	407	1235	495	631	185	265	196	470	400	390
700	960	875	820	46.5	24-Ø44	485	390	451	1398	569	704	230	333	232	530	400	430
800	1085	990	928	51	24-Ø50	547.5	390	451	1571	646	800	230	333	232	600	400	470
900	1185	1090	1028	55.5	28-Ø50	597.5	451	512	1669	695	849	230	368	232	655	400	510
1000	1320	1210	1140	60	28-Ø57	665	507	568	1923	779	980	315	453	327	730	400	550
1200	1530	1420	1350	69	32-Ø57	770	599	660	2252	903	1136	412	613	408	840	400	630
1400	1755	1640	1560	74	36-Ø62	882.5	599	660	2516	1042	1262	412	613	408	970	400	710
1500	1865	1750	1678	77.5	36-Ø62	937.5	599	660	2651	1130	1308	412	613	408	1030	400	750
1600	1975	1860	1780	81	40-Ø62	992.5	777	838	2852	1208	1405	495	725	408	1080	600	790