

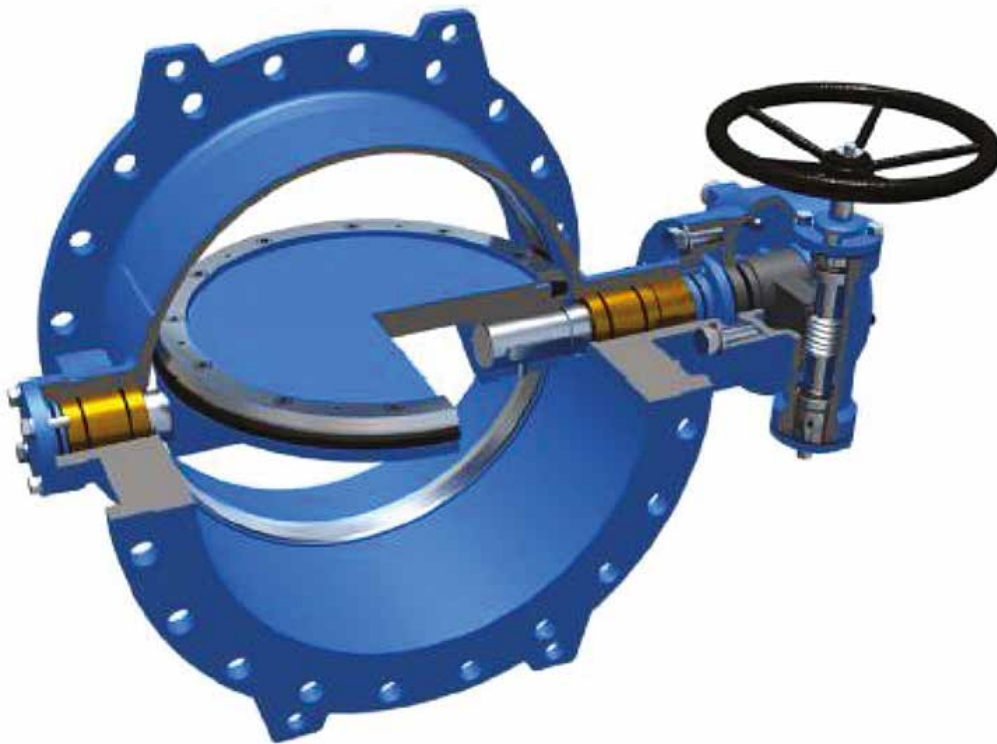
# Butterfly Valve – Double Eccentric, Resilient Seated

PN40 Temp –10°C to 70°C DN200 to DN1600

Tel. +44 (0)1788 229 937  
sales@utilitiesvalves.com  
www.utilitiesvalves.com



- Double Eccentric Disc – Low Torque, Low Wear
  - Welded Body Seat Ring Stainless Steel – Reliable and durable performance
  - Robust Buried Service Worm Gear Box, IP 68
  - Streamlined low profile Disc – Small Headloss
  - Disc to Shaft Connection – Keyway or Taper Pin
  - T profiled disc seal ring –easy adjustment
  - Multiple shaft O rings – Long life & sealing performance
  - Rapid Disc disengagement from seat
  - Body & Disc Ductile Iron GGG50
  - Self Lubricating Bronze Bearings maintenance free
  - Body & Disc Coated 250 µm FBE
  - Fasteners Stainless Steel
- Available with a wide range of gearbox options including buried duty, cap top, handwheel and actuated.



#### Technical information

WRAS approved materials  
for use with potable water

#### Manufacture

BS EN ISO 9001:2015 QMS  
ISO 14001:2004 EMS

#### Design Standard

EN593 & BS5155  
F/F EN558 Series 14

**WRAS** Approved Materials

# Butterfly Valve – Double Eccentric, Resilient Seated

PN40 Temp –10°C to 70°C DN200 to DN1600

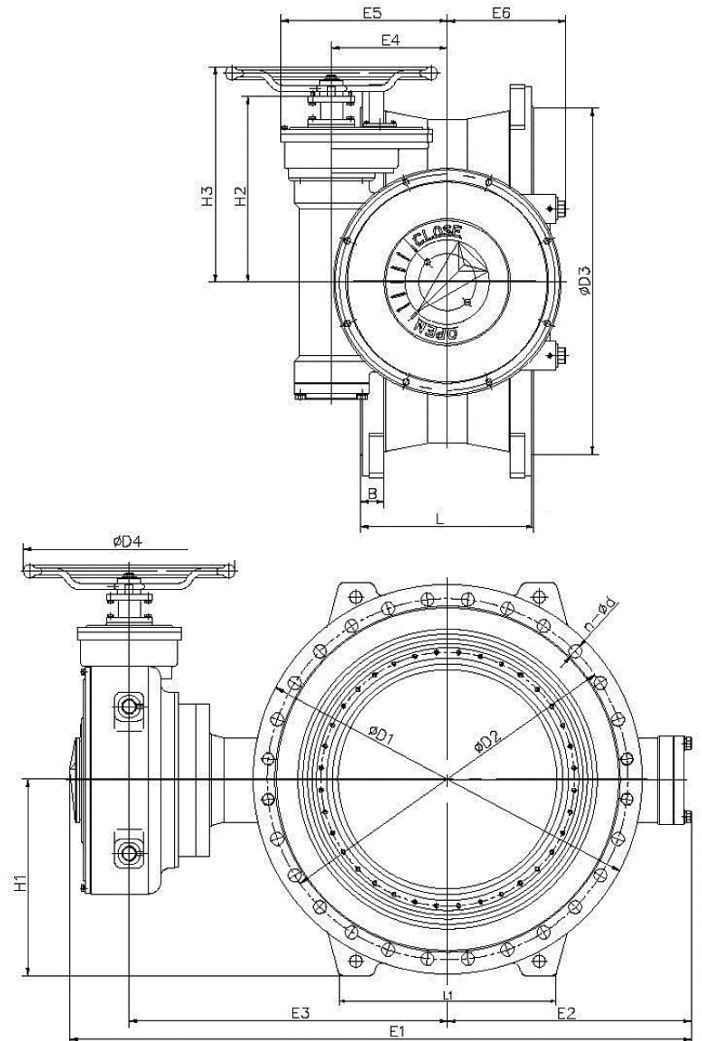
Tel. +44 (0)1788 229 937  
 sales@utilitiesvalves.com  
 www.utilitiesvalves.com



## Materials List

Name	Material
Upper Shaft	Stainless Steel 1.4021 (SS420)
Key	Stainless Steel 1.4021 (SS420)
Packing Gland	Carbon Steel
Connection Flange	Carbon Steel
Shaft Bearing	Aluminium Bronze
O ring	EPDM
Pin	Stainless Steel 1.4021 (SS420)
Body	Ductile Iron EN-GJS-500-7
Disc	Ductile Iron EN-GJS-500-7
Retainer Ring	Stainless Steel 304
Disc Seal Ring	EPDM
Lower Shaft	Stainless Steel 1.4021 (SS420)
End Cover	Carbon Steel
Body Seal Ring	Stainless Steel 304
Fasteners	Stainless Steel A2-70

Utilities Valves reserves the right to change product design and specification without notice



## Dimensions table

DN	D1	D2	D3	B	n-d	H1	H2	H3	E1	E2	E3	E4	E5	E6	L1	D4	L
200	375	320	284	30	12-Ø31	192.5	178	233	603	229	309	93.4	135	115	180	320	230
250	450	385	345	35	8-Ø34	230	192	283	712	261	369	120	169	138	200	400	250
300	515	450	409	40	16-Ø34	262.5	317	378	795	305	408	120	186	138	240	400	270
350	580	510	465	44	16-Ø37	295	315	376	904	360	455	148	214	166	320	400	310
400	660	585	535	48	16-Ø37	335	315	376	1001	407	505	148	214	166	320	400	310
450	685	610	560	49	20-Ø41	347.5	346	407	1067	429	533	185	265	196	360	400	330
500	755	670	615	52	20-Ø44	382.5	346	407	1180	477	598	185	265	196	450	400	350
600	890	795	735	58	20-Ø50	450	390	451	1363	555	683	230	333	232	500	400	390
700	995	900	840	64	24-Ø48	505	507	568	1625	666	795	315	453	327	560	400	430
800	1140	1030	960	72	24-Ø56	575	507	568	1696	664	868	315	453	327	630	400	470
900	1250	1140	1070	76	28-Ø56	635	507	568	1904	785	955	315	453	327	690	400	510
1000	1360	1250	1180	80	28-Ø56	690	599	660	2039	837	989	412	613	408	740	400	550
1100	1460	1350	1280	85	32-Ø56	735	599	660	2384	997	1174	412	613	408	800	400	590
1200	1575	1460	1380	88	32-Ø62	792.5	777	838	2595	1077	1279	495	725	485	860	600	630
1400	1795	1680	1600	98	32-Ø62	902.5	777	838	2839	1200	1400	495	725	485	1000	600	710
1500	1925	1800	1715	105	32-Ø70	967.5	777	838	3041	1305	1497	495	725	485	1060	600	750
1600	2025	1900	1815	108	32-Ø70	1018	958		3252	1410	1520	560	820	566	1110		790