

Dual Plate Check Valve – Wafer Type, Resilient Seated PN16 Temp –0°C to 100°C DN50 to DN700

Tel. +44 (0)1788 229 937
sales@utilitiesvalves.com
www.utilitiesvalves.com



- Wafer type valve for fitting between flanges
- May be fitted in any position
- Spring Assisted closure
- Use for water and neutral liquids
- End flange in accordance to EN1092-2, PN16
- Face to Face in accordance to EN558-1, Series 16
- FBE coated inside and outside min thickness 250 µm
- DN200 – DN600 fitted with lifting eye
- Other sizes and pressure ratings available on request
- Other materials available on request



Technical information

WRAS approved materials
for use with potable water

WRAS Approved Materials

Manufacture

BS EN ISO 9001:2015 QMS
ISO 14001:2004 EMS

Design Standard

BS EN 1074-3:2000
F/F EN558 Series 16

Dual Plate Check Valve

– Wafer Type, Resilient Seated

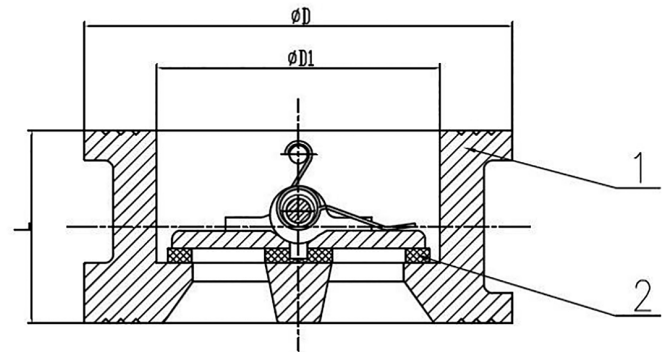
PN16 Temp -0°C to 100°C DN50 to DN700

Tel. +44 (0)1788 229 937
 sales@utilitiesvalves.com
 www.utilitiesvalves.com



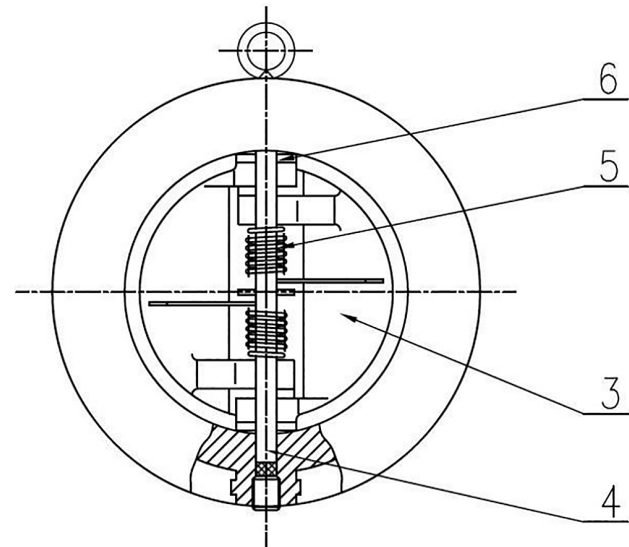
Materials List

No.	Name	Material
1	Body	Ductile Iron EN-GJS-500-7
2	Seat	EPDM - WRAS
3	Disc	Ductile Iron EN-GJS-500-7 Stainless Steel 304L or 316
4	Shaft	Stainless Steel 304L, 316 or 420
5	Spring	Stainless Steel 304 or 316
6	Bush	PTFE



Dimensions table

DN	Ø D	Ø D1	L
50	106	65	43
65	126	80	46
80	141	94	64
100	161	117	64
125	191	145	70
150	217	170	76
200	272	224	89
250	327	265	114
300	382	310	114
350	442	360	127
400	494	410	140
450	554	450	152
500	616	505	152
600	733	624	178
700	803	720	229



Utilities Valves reserves the right to change product design and specification without notice.

