

BS750 Underground Fire Hydrant

PN16 Temp -20°C to +70°C

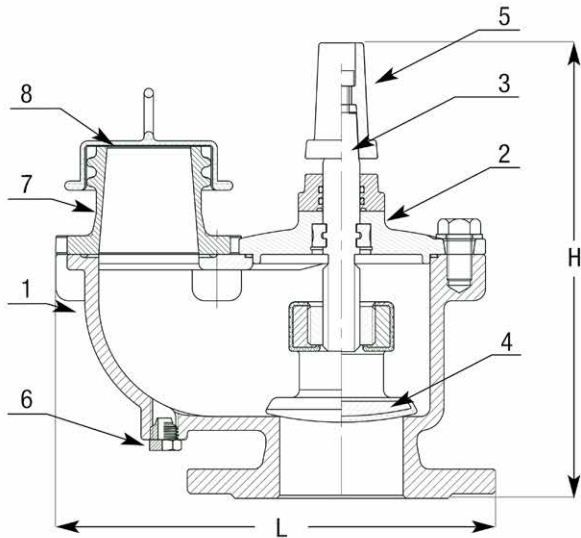
DN80 & DN100 Fixed Stopper

Tel. +44 (0)1788 229 937
sales@utilitiesvalves.com
www.utilitiesvalves.com



Features

- 2 1/2" London Round Thread Outlet
- Range of outlet options available
- WRAS Approved Product
- Universal Flange Drilling PN16 / BS10 Table E
- Max Working Pressure 16 Bar
- FBE Coated Internally and Externally to a minimum of 250 µm



Materials List

No.	Name	Material
1	Body	Ductile Iron EN-GJS-500-7
2	Bonnet	Ductile Iron EN-GJS-500-7
3	Stem	Stainless Steel
4	Stopper	Ductile Iron GGG50 EPDM/NBR Vulcanised with EPDM
5	Cap	Ductile Iron EN-GJS-500-7
6	Auto Frost Valve	Brass with Stainless Steel Spring
7	Outlet	Gun Metal LG2
8	Dust Cover	PVC

Dimensions Table

DN	L	H
80	278	273
100	288	273

Utilities Valves reserves the right to change product design and specification without notice.

WRAS Approved Materials

WRAS approved materials
for use with potable water