

# Lug Type Butterfly Valve

PN10/16 Temp -20°C to 70°C

DN40 to DN600

Tel. +44 (0)1788 229 937

sales@utilitiesvalves.com

www.utilitiesvalves.com



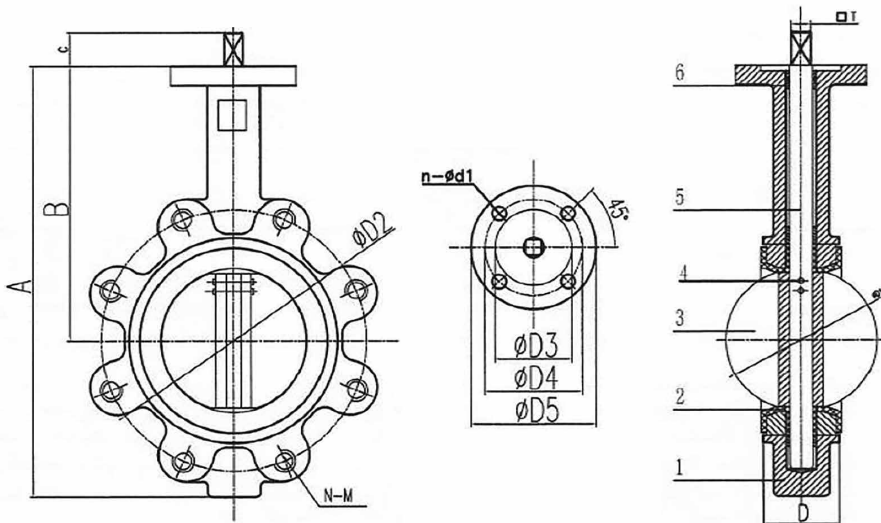
<b>Face to Face:</b>	EN 558-1, Series 20, API 609
<b>Flanges:</b>	DIN 2501
<b>Bonnet Flange:</b>	ISO 5210
<b>Test Standards:</b>	EN 12266, API 598
<b>Corrosion Protection:</b>	FBE minimum 250 µm



## Valve Size DN40 - DN350

No.	Name	Material
6	Bearing of Shaft	PTFE
5	Shaft	SS420/SS431
4	Taper Pin	SS316/SS416
3	Disc	GGG40 / SS304 / SS316 / AlBr
2	Seat	EPDM / NBR
1	Body	GG25 / GGG40

Utilities Valves reserves the right to change product design and specification without notice



## Options

Name	Material
Shaft	1.4057 (SS431)
Disc	Ductile Iron Alum Bronze CF8 (SS304)
Seat	NBR PTFE Viton
Coating	Nylon Rilsan
Body	Cast Iron GG 25
Op Gear	Lever Gearbox/HW

## Dimensions table

DN	D1	D2 PN10	D2 PN16	D3	D4	D5	T SQUARE	N-M PN10	N-M PN16	4-d1	A	B	C	D
40	42.5	110	110	35	50	65	9x9	4-16	4-16	4-7	180	110	29	33
50	52.6	125	125	35	50	65	9x9	4-16	4-16	4-7	241	161	29	43
65	64.5	145	145	35	50	65	9x9	4-16	4-16	4-7	264	175	29	46
80	78.8	160	160	35	50	65	9x9	8-16	8-16	4-7	276	181	29	46
100	104.0	180	180	55	70	90	11x11	8-16	8-16	4-10	314	200	29	52
125	123.3	210	210	55	70	90	14x14	8-16	8-16	4-10	340	213	29	56
150	155.7	240	240	55	70	90	14x14	8-20	8-20	4-10	365	226	29	56
200	202.4	295	295	70	102	125	17x17	8-20	12-20	4-12	435	260	41	60
250	250.4	350	355	70	102	125	19x19	12-20	12-24	4-12	495	292	41	68
300	301.5	400	410	70	102	125	22x22	12-20	12-24	4-12	579	337	41	78
350	333.3	460	470	70	102	125	22x22	16-20	16-24	4-12	635	368	41	78

# Lug Type Butterfly Valve

PN10/16 Temp -20°C to 70°C

DN40 to DN600

Tel. +44 (0)1788 229 937

sales@utilitiesvalves.com

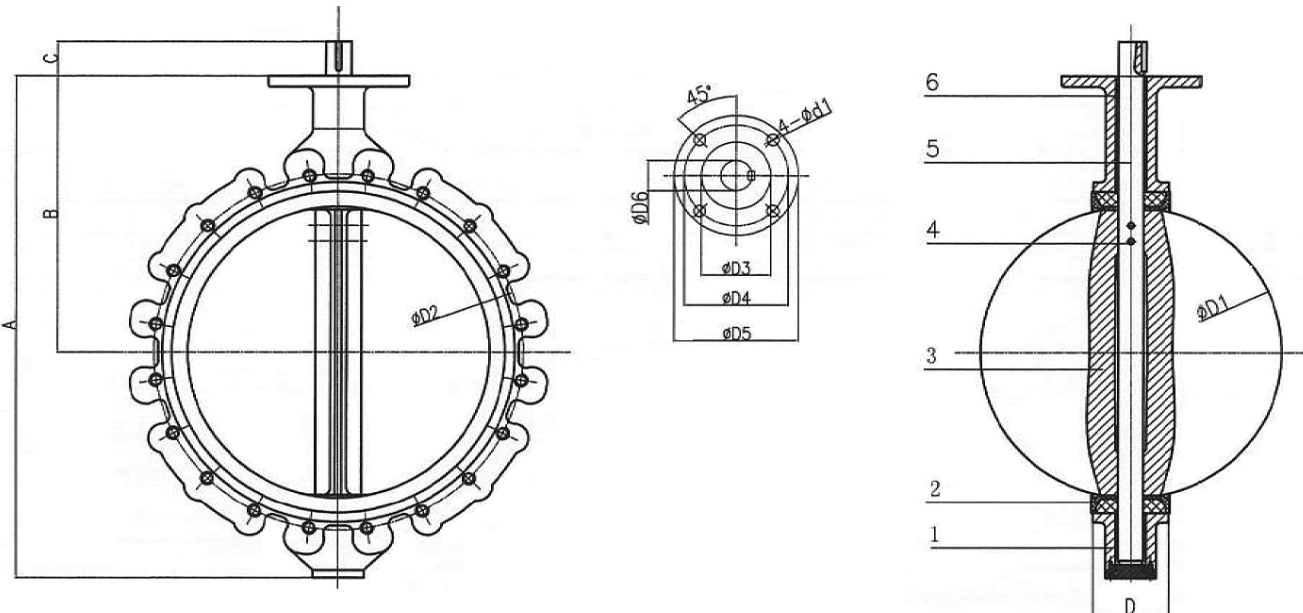
www.utilitiesvalves.com



## Valve Size DN400 – DN600

No.	Name	Material
6	Bearing of Shaft	Bronze
5	Shaft	SS420/SS431
4	Taper Pin	SS316/SS416
3	Disc	GGG40 / SS304 / SS316 / AlBr
2	Seat	EPDM / NBR
1	Body	GG25 / GGG40

Utilities Valves reserves the right to change product design and specification without notice



## Dimensions table

DN	D1	D2 PN10	D2 PN16	D3	D4	D5	T SQUARE	N-M PN10	N-M PN16	4-d1	A	B	C	D
400	389.6	515	525	100	140	175	33.15	16-24	16-27	4-18	710	400	51	51
450	440.5	565	585	100	140	175	37.95	20-24	20-27	4-18	750	422	51	51
500	491.6	620	650	100	140	175	41.12	20-24	20-30	4-18	842	480	57	57
600	592.5	725	770	130	165	210	50.62	20-27	20-33	4-22	1022	562	70	70

