

Metal Seated Gate Valve – BS5163 (Type B)

PN16 Temp 0°C to 80°C DN80 to DN300

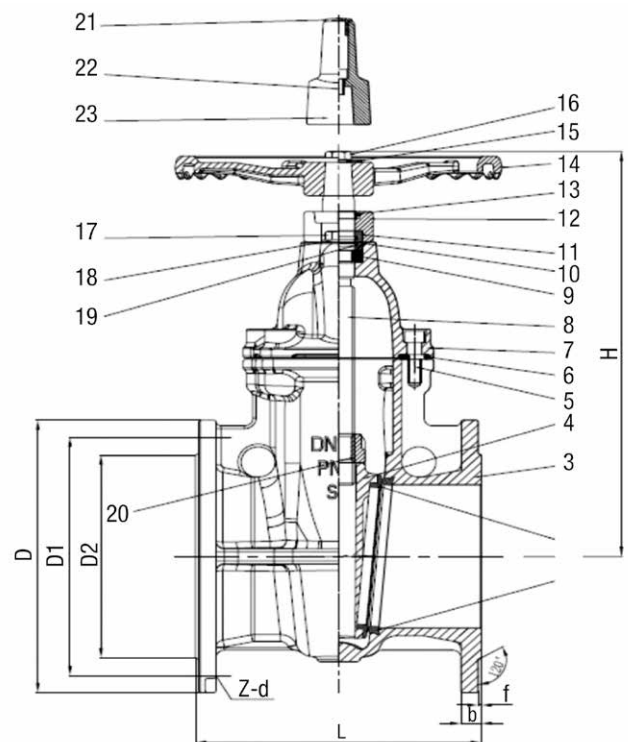
Tel. +44 (0)1788 229 937
sales@utilitiesvalves.com
www.utilitiesvalves.com



- Design in accordance to BS 5163 Type B
- Flange and drilling in accordance to BS EN1092-2, PN16
- Face to face in accordance to BS EN558-1 series 3
- Pressure test in accordance to EN12266
- Use for potable or raw water and neutral liquids to max. 80°C
- FBE coated inside and outside minimum thickness of 250 µm

Materials List

No.	Name	Material
1	Body Seal Ring	Gunmetal – CC 491K
2	Wedge Seal Ring	Gunmetal – CC 491K
3	Body	Ductile Iron EN-GJS-500-7
4	Wedge	Ductile Iron EN-GJS-500-7
5	Bonnet Bolts	Carbon St Grade 8.8
6	Bonnet Gasket	EPDM
7	Bonnet	Ductile Iron EN-GJS-500-7
8	Stem	Stainless Steel 1.4401 (SS316)
9	Thrust Collar	Brass, BS EN12165 CW 617
10	O-Ring	EPDM
11	Stem Seal Bush	Brass, BS EN12165 CW 617
12	Gland Flange	Ductile Iron EN-GJS-500-7
13	Dust Cover	NBR
14	Handwheel	Ductile Iron EN-GJS-500-7
15	Handwheel Screw	Stainless Steel A2-70
16	Washer	Stainless Steel A2-70
17	Gland Flange Bolts	Stainless Steel A2-70
18	Washer	Stainless Steel A2-70
19	O-Ring	EPDM
20	Wedge Nut	Gunmetal – CC 491K
21	Cap Top Cover	PVC
22	Cap Top Screw	Stainless Steel A2-70
23	Cap Top	Ductile Iron EN-GJS-500-7



Dimensions Table

DN	PN bar	D	D1	D2	b	f	Z-d	H Handwheel	H Cap
80	16	200	160	138	19	3	8-19	300	375
100		220	180	158	19	3	8-19	335	400
150		285	240	212	19	3	8-23	440	520
200		340	295	268	20	3	12-23	525	590
250		405	255	320	22	3	12-28	630	680
300		460	410	378	24.5	4	12-28	700	762

Utilities Valves reserves the right to change product design and specification without notice.

WRAS Approved Materials

WRAS approved materials for use with potable water