

NSCV– Non Slam Check Valve

PN10/16/25 -10°C to 70°C DN50 to DN1200

Tel. +44 (0)1788 229 937
sales@utilitiesvalves.com
www.utilitiesvalves.com



NSCV- Non Slam Check Valve is used as protection against reverse flow when power failure in areas where noise pollution or water hammering is a critical issue. It can provide not only quiet performance but also low head loss.

Features

- High strength ductile iron body used for durability and less weight
- Advanced dynamic design of single body with diffuser provides streamline flow and assures lower head loss
- One of the lowest head loss check valve, big save in pumping power cost, valve disc with shorter stroke and spring reverse faster than most other check valve.
- Coated with powder epoxy both inside and out for corrosion resistance.
- Bronze bushing reduce wearing problem during operation
- Hydrodynamic design with spring ensures non slamming and water hammerless
- Stainless steel spring hidden in the diffuser under protection while valve is in operation
- Disc will positively close before flow, and maximize the closing speed up to 0.2 Sec
- Installation can be vertical / horizontal / inclined. For size DN800 and up preferred vertical installation



Technical information

WRAS approved materials
for use with potable water

Manufacture

BS EN ISO 9001:2015 QMS
ISO 14001:2004 EMS

Design Standard

EN 558-1, ISO 5752
EN 1092-2 ISO 7005-2

WRAS Approved Materials

NSCV– Non Slam Check Valve

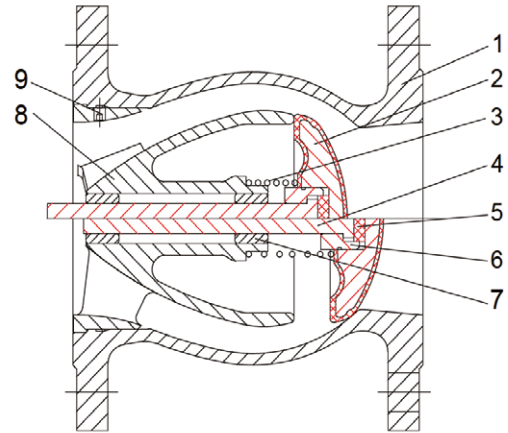
PN10/16/25 -10°C to 70°C DN50 to DN1200

Tel. +44 (0)1788 229 937
 sales@utilitiesvalves.com
 www.utilitiesvalves.com



Materials List

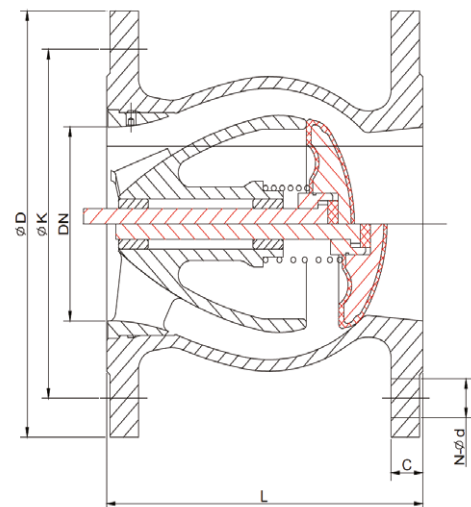
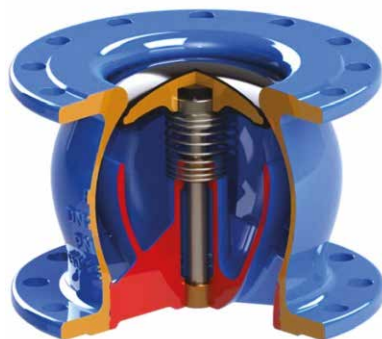
No.	Name	Material
1	Body	Ductile Iron GJS 500-7
2	Disc	Ductile iron + rubber GJS 500-7+EPDM
3	Spring	Stainless Steel AISI 304/316
4	Stem	Stainless Steel AISI 420/304/316
5	Washer	Rubber EPDM
6	Nut	Stainless Steel AISI 420/304
7	Bushing	Bronze C61900
8	Diffuser	Ductile Iron GJS 500-7
9	Set Screw	Stainless Steel 304



Dimensions table

DN	F/F	ØD			ØK			n-Ød			C		
	L	PN10	PN16	PN25	PN10	PN16	PN25	PN10	PN16	PN25	PN10/16	PN25	
50	150	–	165	–	–	125	–	–	4-Ø19	–	19		
65	170	–	185	–	–	145	–	4-Ø19	8-Ø19		19		
80	180	–	200	–	–	160	–	8-Ø19	8-Ø19		19		
100	190		220	235	180	190		8-Ø19	8-Ø23		19		
125	200		250	270	210	220		8-Ø23	8-Ø28	19		23.5	
150	210		285	300	240	250		8-Ø23	8-Ø28	19		26	
200	230		340	360	295	310		8-Ø23	12-Ø23	8-Ø28	20		30
250	250	395	405	425	350	355	370	12-Ø23	12-Ø28	12-Ø34	22		34.5
300	270	445	460	485	400	410	430	12-Ø23	12-Ø28	16-Ø34	24.5		39.5
350	290	505	520	555	460	470	490	16-Ø23	16-Ø28	16-Ø37	24.5		44

Utilities Valves reserves the right to change product design and specification without notice.



NSCV– Non Slam Check Valve

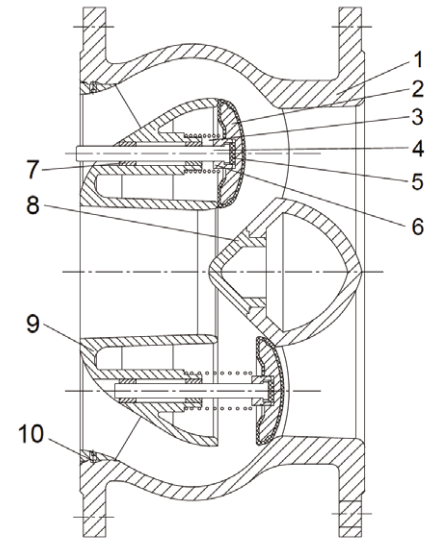
PN10/16/25 -20°C to 70°C DN50 to DN1000

Tel. +44 (0)1788 229 937
 sales@utilitiesvalves.com
 www.utilitiesvalves.com



Materials List

No.	Name	Material
1	Body	Ductile Iron GJS 500-7
2	Disc	Ductile iron + rubber GJS 500-7 + EPDM
3	Spring	Stainless Steel AISI 304/316
4	Stem	Stainless Steel AISI 420/304/316
5	Washer	Rubber EPDM
6	Nut	Stainless Steel AISI 420/304
7	Bushing	Bronze C61900
8	Plug	Ductile Iron GJS 500-7
9	Diffuser	Ductile Iron GJS 500-7
10	Set Screw	Stainless Steel 304



Dimensions table

DN	F/F	ØD			ØK			n-Ød			C		
	L	PN10	PN16	PN25	PN10	PN16	PN25	PN10	PN16	PN25	PN10	PN16	PN25
400	310	565	580	620	515	525	550	16-Ø28	16-Ø31	16-Ø41	24.5	24.5	48
450	330	615	640	670	565	585	600	20-Ø28	20-Ø31	20-Ø41	25.5	25.5	49
500	350	670	715	730	620	650	660	20-Ø28	20-Ø34	20-Ø44	26.5	26.5	52
600	390	780	840	845	725	770	770	20-Ø31	20-Ø37	20-Ø50	30	30	58
700	430	910	910	960	840	840	875	24-Ø31	24-Ø37	24-Ø43	39.5	39.5	46.5
800	470	1025	1025	1085	950	950	990	24-Ø34	24-Ø40	24-Ø49	43	43	51
900	510	1125	1125	1185	1050	1050	1090	28-Ø34	28-Ø40	28-Ø49	46.5	46.5	55.5
1000	550	1230	1255	1320	1160	1170	1210	28-Ø37	28-Ø43	28-Ø56	40	50	60
1200	630	1455	1485	1530	1380	1390	1420	32-Ø40	32-Ø49	32-Ø56	45	57	69

Utilities Valves reserves the right to change product design and specification without notice.

