

Resilient Seated Gate Valve – BS5163 (Type B), F4 & F5

PN10/16 Temp –20°C to 70°C

DN350 to DN600

Tel. +44 (0)1788 229 937
sales@utilitiesvalves.com
www.utilitiesvalves.com



- Low Torque Thrust Collar
- Security Seal Wedge
- Integral Low Friction Guides
- Superior Rubber Technology Exceeds EN681-1
- High Grade Valve Construction ZERO Maintenance —'Valve for Life'
- Low torque stainless steel 'Ball Race Thrust Collar'
- Wedge ductile iron, encapsulated with EPDM. Low friction guides integrally vulcanized for security.
- Ductile iron body & bonnet – Coated 250 µm FBE. Body/bonnet bolts stainless steel, sealed with hot melt.
- Stern 'O' rings replaceable under pressure

Available with a wide range of operating gear and actuation including cap top & handwheel.



Technical information

WRAS approved materials for use with potable water

WRAS Approved Materials

Manufacture

BS EN ISO 9001:2015 QMS
ISO 14001:2004 EMS

Design Standard

BS EN1171 Cat 3 & 4
BS EN 1074 pt 1 & 2
BS 5163-pt 1, Type A & B
DIN 3352-pt 1 & 4
EN558-1 basic series 3, 14, 15

Resilient Seated Gate Valve – BS5163 (Type B), F4 & F5

PN10/16 Temp –20°C to 70°C

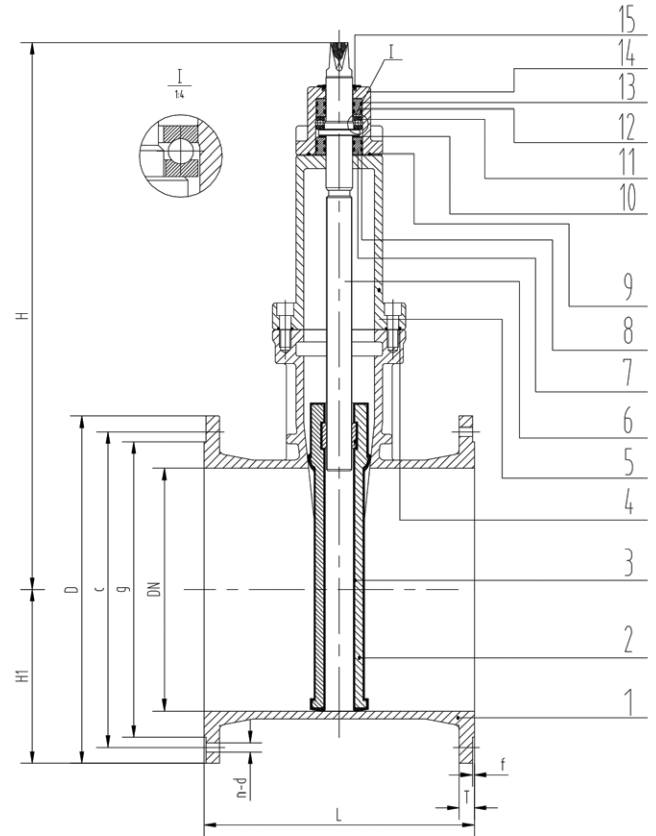
DN350 to DN600

Tel. +44 (0)1788 229 937
sales@utilitiesvalves.com
www.utilitiesvalves.com



Materials List

No.	PART NAME	MATERIAL DESCRIPTION
1	Body	Ductile Iron EN-GJS-500-7
2	Wedge	Ductile Iron EN-GJS-500-7 with EPDM 70
3	Stem Nut	Aluminium Bronze ZCuAl10Fe3
4	Bonnet Gasket	EPDM
5	Bonnet	Ductile Iron EN-GJS-500-7
6	Stem	Stainless Steel 1.4021 (SS420)
7	Bush	Aluminium Bronze ZCuAl10Fe3
8	'O' Ring	NBR
9	Seal Ring	NBR
10	Washer	POM
11	Ball Race	High Tensile Steel
12	Bush	Aluminium Bronze ZCuAl10Fe3
13	'O' Ring	NBR
14	Gland	Ductile Iron EN-GJS-500-7
15	Dustseal	NBR



Dimensions table

DN (mm)	L (mm)			H1 (mm)		H (mm)	Flange dimensions comply with EN1092-2										
	F4	F5	BS5163	1.0 Mpa	1.6 Mpa		D		c		g		f	T		n-d	
							1.0 Mpa	1.6 Mpa	1.0 Mpa	1.6 Mpa	1.0 Mpa	1.6 Mpa		1.0 Mpa	1.6 Mpa		
350	290	550	381	252.5	260	870	505	520	460	470	429		4	24.5	26.5	16-23	16-28
400	310	600	406	282.5	290	1010	565	580	515	525	480	489	4	24.5	28	16-23	16-31
450	330	650	432	307.5	320	1080	615	640	565	585	530	548	4	25.5	30	20-28	20-31
500	350	700	457	335	357.5	1180	670	715	620	650	582	609	4	26.5	31.5	20-28	20-34
600	390	800	508	390	420	1345	780	840	725	770	682	720	5	30	36	20-31	20-37

Utilities Valves reserves the right to change product design and specification without notice

