

Resilient Seated Gate Valve – Socket Ends for U-PVC pipe

PN10/16 Temp –20°C to 70°C

DN80 to DN300

Tel. +44 (0)1788 229 937
sales@utilitiesvalves.com
www.utilitiesvalves.com



- Low Torque Closure
- Integral Low Friction Guides
- Superior Rubber Technology Exceeds EN681-1
- Flat Bottom Steel Ring – no cavity
- High Grade Valve Construction
- ZERO Maintenance – 'Valve for Life'
- Wedge Technology for absolute tight shut off and low torque operation
- Wedge ductile iron, encapsulated with EPDM
- Low friction guides integrally vulcanized for security
- Ductile iron body & bonnet – Coated 250 µm FBE
- Body/bonnet bolts stainless steel, sealed with hot melt
- Stem 'O' rings replaceable under pressure

Available with cap top or handwheel operation.



Technical information

WRAS approved materials
for use with potable water

WRAS Approved Materials

Manufacture

BS EN ISO 9001:2015 QMS
ISO 14001:2004 EMS

Design Standard

DIN 3352pt 4, BSEN 1074 pt 1 & 2
F/F to DIN3202 (ISO 5752)
Bonnet top to GW336

Resilient Seated Gate Valve – Socket Ends for U-PVC pipe

PN10/16 Temp –20°C to 70°C

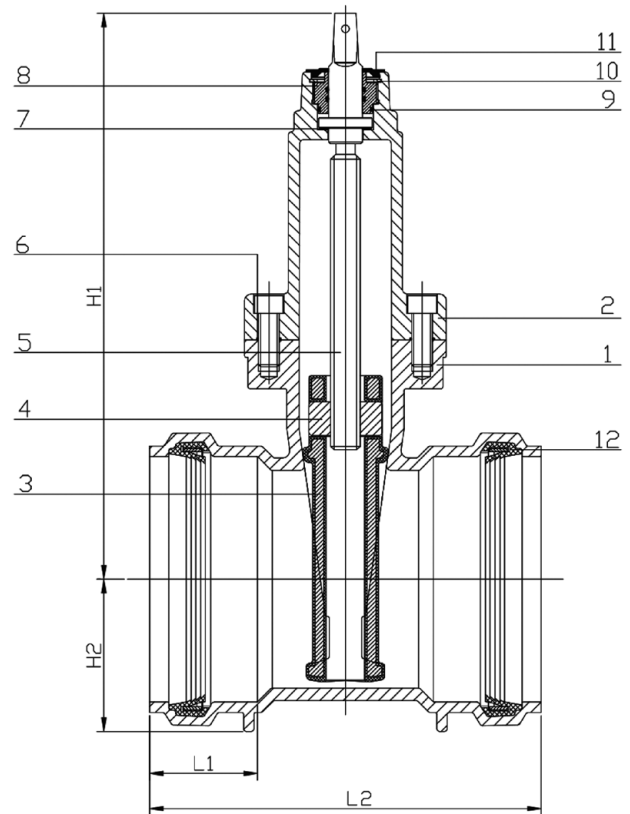
DN80 to DN300

Tel. +44 (0)1788 229 937
sales@utilitiesvalves.com
www.utilitiesvalves.com



Materials List

No.	Name	Material
1	Body	Ductile Iron EN-GJS-500-7
2	Bonnet	Ductile Iron ENGJS-500-7
3	Wedge	Ductile Iron EN-GJS-500-7 with EPDM
4	Stem Nut	Aluminium Bronze ZCuAl10Fe3
5	Stem	Stainless Steel 1.4021 (SS420)
6	Middle Gasket	EPDM
7	Washer	POM
8	Bush	Aluminium Bronze ZCuAl10Fe3
9	'O' Rings	NBR
10	Circlip	Stainless Steel 304
11	Dust Seal	NBR
12	Seal Gasket	EPDM



Dimensions table

DN	Outside Diameter of the Pipe	L1 (mm)	L2 (mm)	H1 (mm)	H2 (mm)
50	64	72	250	260	49
80	90	95	280	310	66
110	110	100	300	340	76
150	160	115	350	460	105
175	200	120	400	570	128
200	225	130	400	570	140
300	315	160	530	770	192

Utilities Valves reserves the right to change product design and specification without notice

