

Swing Check Valve – Resilient Seated

PN10/16 Temp –20°C to 70°C
DN50 to DN1000

Tel. +44 (0)1788 229 937
sales@utilitiesvalves.com
www.utilitiesvalves.com



- Resilient Seated Tight Closure Disc
- Elliptical Seat Large Cross Sectional Flow
- Valve Body, Disc and Cover Ductile Iron GGG50
- EPDM Encapsulated Disc
- Robust Maintenance Free Design
- Internal Trim Stainless Steel and Aluminium Bronze
- Seat Seal EPDM (W270)
- Body & Cover Coated 250 µm FBE
- Fasteners Stainless Steel
- Body Horizontal / Mounting Feet – Assists Installation



Technical information

WRAS approved materials
for use with potable water

WRAS Approved Materials

Manufacture

BS EN ISO9001:2015 QMS
ISO 14001:2004 EMS

Design Standard

EN 12334, BS EN 1074-3
AWWA A508
F/F EN 558 Series 10

Swing Check Valve – Resilient Seated

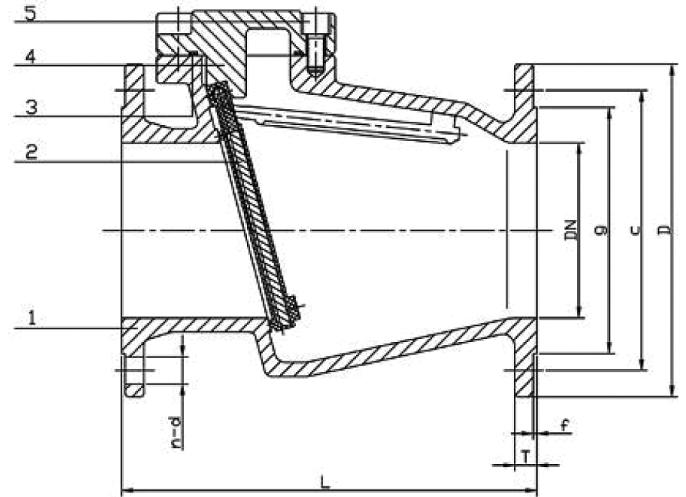
PN10/16 Temp –20°C to 70°C
DN50 to DN1000

Tel. +44 (0)1788 229 937
sales@utilitiesvalves.com
www.utilitiesvalves.com



Materials List

No.	Name	Material
1	Body	Ductile Iron EN-GS-500-7
2	Disc	Ductile Iron EN-GS-500-7 Encapsulated with EPDM
3	Body Gasket	EPDM
4	Bonnet	Ductile Iron EN-GJS-500-7
5	Fasteners	Stainless Steel A2-70



Dimensions table

DN	L	Flange dimensions comply with EN1092-2											Weight (kg)
		D		C		g		f	T		n-d		
		1.0 Mpa	1.6 Mpa	1.0 Mpa	1.6 Mpa	1.0 Mpa	1.6 Mpa		1.0 Mpa	1.6 Mpa	1.0 Mpa	1.6 Mpa	
50	203	165	165	125	125	99	99	3	19.0	19.0	4-19	4-19	13
65	216	185	185	145	145	118	118	3	19.0	19.0	4-19	4-19	17
80	241	200	200	160	160	132	132	3	19.0	19.0	8-19	8-19	19
100	292	220	220	180	180	156	156	3	19.0	19.0	8-19	8-19	30
125	330	250	250	210	210	184	184	3	19.0	19.0	8-19	8-19	45
150	356	285	285	240	240	211	211	3	19.0	19.0	8-23	8-23	55
200	495	340	340	295	295	266	266	3	20.0	20.0	8-23	12-23	82
250	622	395	405	350	355	319	319	3	22.0	22.0	12-23	12-28	133
300	698	445	460	400	410	370	370	4	24.5	24.5	12-23	12-28	175
350	787	505	520	460	470	429	438	4	26.5	26.5	16-23	16-28	328
400	914	565	580	515	525	480	489	4	28.0	28.0	16-28	16-31	449
450	978	615	640	565	585	530	548	4	30.0	30.0	20-28	20-31	500
500	978	670	715	620	650	582	609	4	31.5	31.5	20-28	20-34	530
600	1080	780	–	725	–	682	–	5	30.0	30.0	20-31	–	690
700	1170	895	–	840	–	794	–	5	32.5	32.5	24-31	–	850
800	1270	975	–	920	–	878	–	5	35.0	35.0	24-31	–	980
900	1380	1115	–	1050	–	1001	–	5	37.5	37.5	28-34	–	1050
1000	1500	1230	–	1160	–	1112	–	5	40.0	40.0	28-37	–	1120

Utilities Valves reserves the right to change product design and specification without notice.

