

Swing Check Valve – Resilient Seated

PN16 Temp –10°C to 70°C DN50 to DN300

Tel. +44 (0)1788 229 937
sales@utilitiesvalves.com
www.utilitiesvalves.com



Technical Information

- Design to BS EN 16767:2016 (BS 5153)
- Face to face dimension in accordance to BS EN558 Series 10
- Flange drilling to BS EN1092-2 PN16
- Tests: Hydraulic test to BS EN12266
- Application: For potable water, sewage and neutral liquids to maximum 70°C
- Coating: Fusion bonded epoxy coating internally and externally minimum 250 µm
- Optional Lever Weight and Guard Assemblies
- Guard as standard on Right Hand Side, Option for Left Hand fitting
- Optional Bonnet Plug

Model 3165



Model 3160



Technical information

WRAS approved materials
for use with potable water

WRAS Approved Materials

Manufacture

BS EN ISO 9001:2015 QMS
ISO 14001:2004 EMS

Design Standard

BS EN 16767:2016
EN 1074-3
F/F EN558 Series 10

Swing Check Valve – Resilient Seated

PN16 Temp -10°C to 70°C DN50 to DN300

Tel. +44 (0)1788 229 937
sales@utilitiesvalves.com
www.utilitiesvalves.com



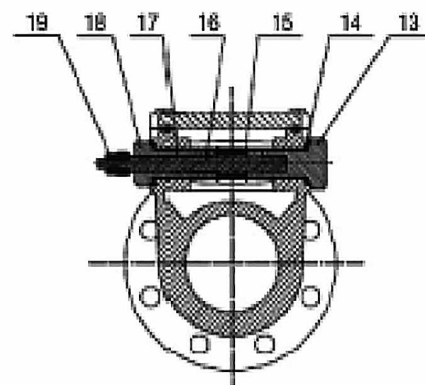
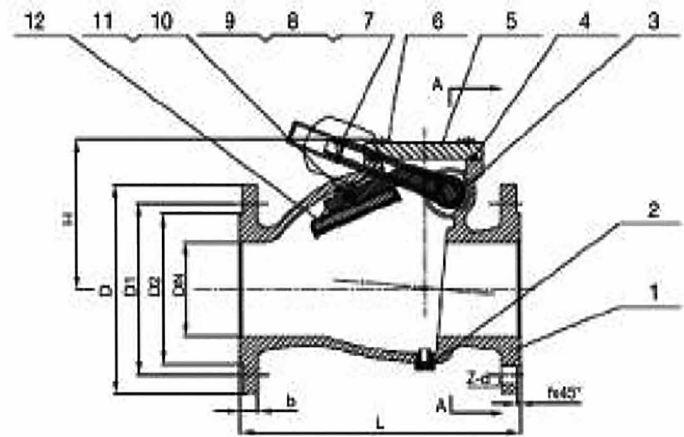
Dimensions table

DN	D	D1	D2	L	b	f	z-d	H
50	165	125	102	203	19	3	4-19	120
80	200	160	138	241	19	3	8-19	140
100	220	180	158	292	19	3	8-19	160
150	285	240	212	356	19	3	8-23	200
200	340	295	268	495	20	3	12-23	250
250	405	355	320	622	22	3	12-28	290
300	460	410	378	698	24.5	4	12-28	330

DN	Weight (kg) Model 3165	Weight (kg) Model 3160
50	11	13
80	17	19
100	25	27
150	43	48
200	79	85
250	128	141

Material Options

No.	Name	Material
1	Body	Ductile Iron EN-GJS-500-7
2	Drain Plug	A2-70 Stainless Steel
3	Hinge	Ductile Iron EN-GJS-500-7
4	O-Ring	NBR / EPDM
5	Bonnet	Ductile Iron EN-GJS-500-7
6	Bonnet Bolts	A2-70 Stainless Steel
7	Lever	Ductile Iron EN-GJS-500-7
8	Weight	Ductile Iron EN-GJS-500-7
9	Lever Screw	A2-70 Stainless Steel
10	Hinge Pin	A2-70 Stainless Steel
11	Clip	A2-70 Stainless Steel
12	Disc	Ductile Iron EN-GJS-500-7 / Rubber
13	Side Plug	Forged Brass BS EN 12165 CW617N
14	Bonnet Gasket	NBR / EPDM
15	Bush	Stainless Steel
16	Shaft	304 Stainless Steel
17	O-Ring	NBR / EPDM
18	Side Plug	Forged Brass BS EN 12165 CW617N
19	Nut	A2-70 Stainless Steel



Utilities Valves Ltd. reserves the right to change product design and specification without notice.