

# Wafer Butterfly Valve DN40 to DN600

PN10/16 Temp -20°C to 70°C DN40 to DN600

Tel. +44 (0)1788 229 937  
sales@utilitiesvalves.com  
www.utilitiesvalves.com



<b>Face to Face:</b>	EN 558-1, Series 20, API 609
<b>Flanges:</b>	DIN 2501
<b>Bonnet Flange:</b>	ISO 5211
<b>Test Standards:</b>	EN 12266, API 598
<b>Corrosion Protection:</b>	FBE minimum 250 µm



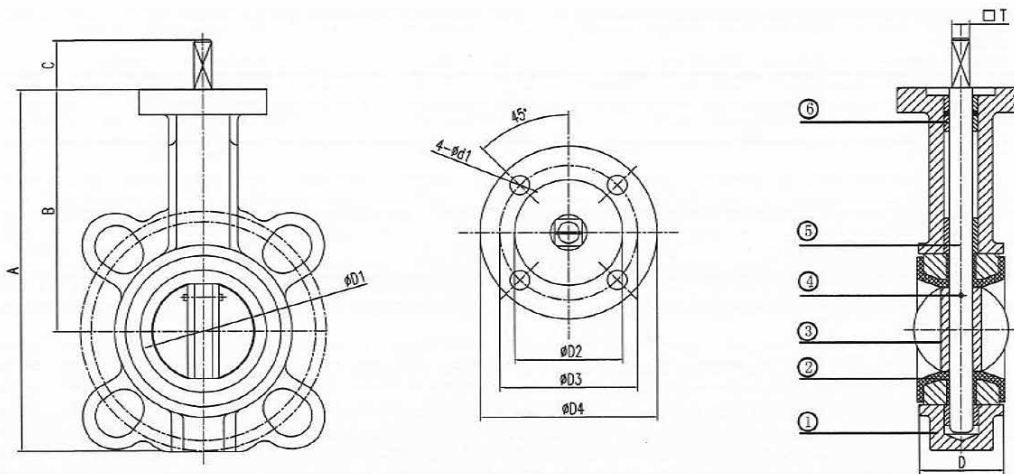
## Valve Size DN40 - DN300

No.	Name	Material
6	Bearing of Shaft	PTFE
5	Shaft	1.4021 (SS420)
4	Taper Pin	SS316
3	Disc	CFM8 (SS316)
2	Seat	EPDM
1	Body	Ductile Iron GGG 50

Utilities Valves reserves the right to change product design and specification without notice

## Options

Name	Material
Shaft	1.4057 (SS431)
Disc	Ductile iron, Alum Bronze, CF8 (SS304)
Seat	NBR, PTFE, Viton
Coating	Nylon, Rilsan
Body	Cast Iron GG 25
Op Gear	Lever Gearbox/HW



## Dimensions table

DN	D1	D2	D3	D4	T SQUARE	4-d1	A	B	C	D
40	42.5	35	50	65	9x9	4-7	156	92	29	33
50	52.6	35	50	65	9x9	4-7	189	126	29	43
65	64.5	35	50	65	9x9	4-7	203	133	29	46
80	78.8	35	50	65	9x9	4-7	238	152	29	46
100	104.0	55	70	90	11x11	4-10	276	170	29	52
125	123.3	55	70	90	14x14	4-10	296	181	29	56
150	155.7	55	70	90	14x14	4-10	324	196	29	56
200	202.4	70	102	125	17x17	4-12	398	238	41	60
250	250.4	70	102	125	19x19	4-12	443	258	41	68
300	301.5	70	102	125	22x22	4-12	535	300	41	78

# Wafer Butterfly Valve DN40 to DN600

PN10/16 Temp -20°C to 70°C DN40 to DN300

Tel. +44 (0)1788 229 937  
sales@utilitiesvalves.com  
www.utilitiesvalves.com



## Valve Size DN40 - DN600

No.	Name	Material
6	Bearing of Shaft	Bronze
5	Shaft	1.4057 (SS431)
4	Taper Pin	SS316
3	Disc	CFM8 (SS316)
2	Seat	EPDM
1	Body	Ductile Iron GGG 40

Utilities Valves reserves the right to change product design and specification without notice

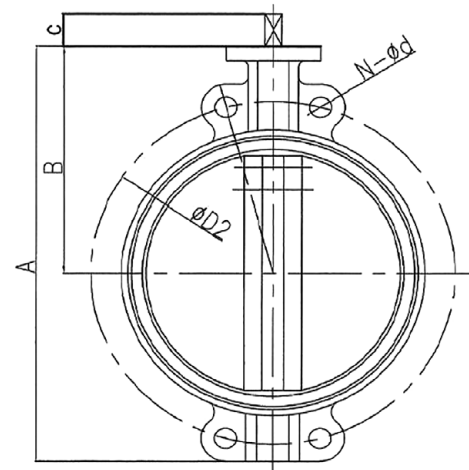
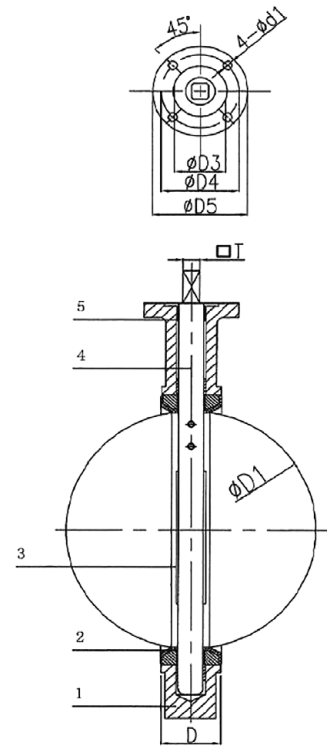
## Options

Name	Material
Stems	1.4021 (SS420), Higher Grades
Discs	Ductile Iron, Alum Bronze, CF8 (SS304)
Seat	NBR, PTFE
Coating	Nylon, Rilsan

## Operating options for DN40 to DN600

Carbon steel lever up to DN300  
Stainless steel lever (SS304 or SS316) up to  
DN300 Ductile Iron Gearbox and Handwheel  
Pneumatic Acuator  
Electric Actuator

## DN350



## Dimensions table

DN	D1	D2	D3	D4	D4	T SQUARE	N-d	4-d1	A	B	C	D
350	333.3	460	70	102	125	22x22	4-22	4-18	577	315	82	78

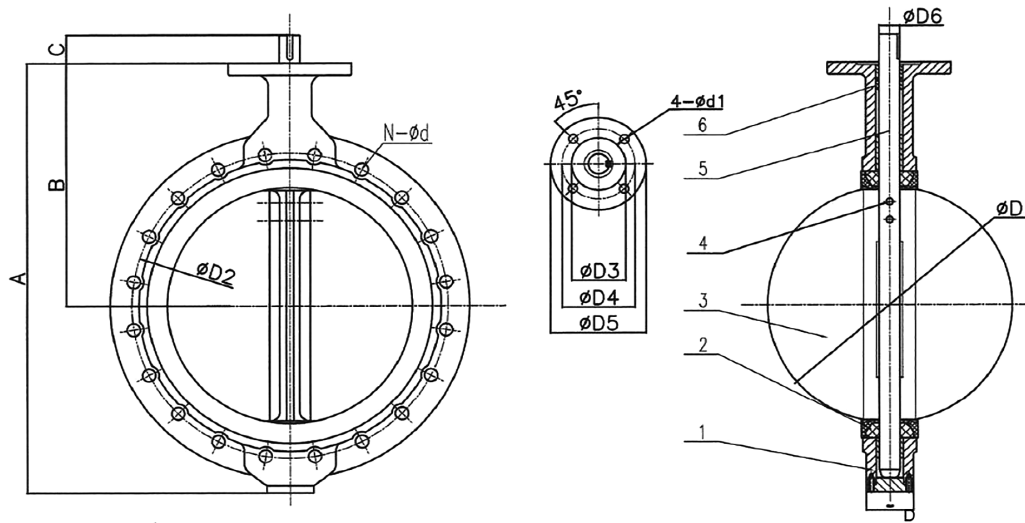
# Wafer Butterfly Valve DN40 to DN600

PN10/16 Temp  $-20^{\circ}\text{C}$  to  $70^{\circ}\text{C}$  DN40 to DN300

Tel. +44 (0)1788 229 937  
sales@utilitiesvalves.com  
www.utilitiesvalves.com



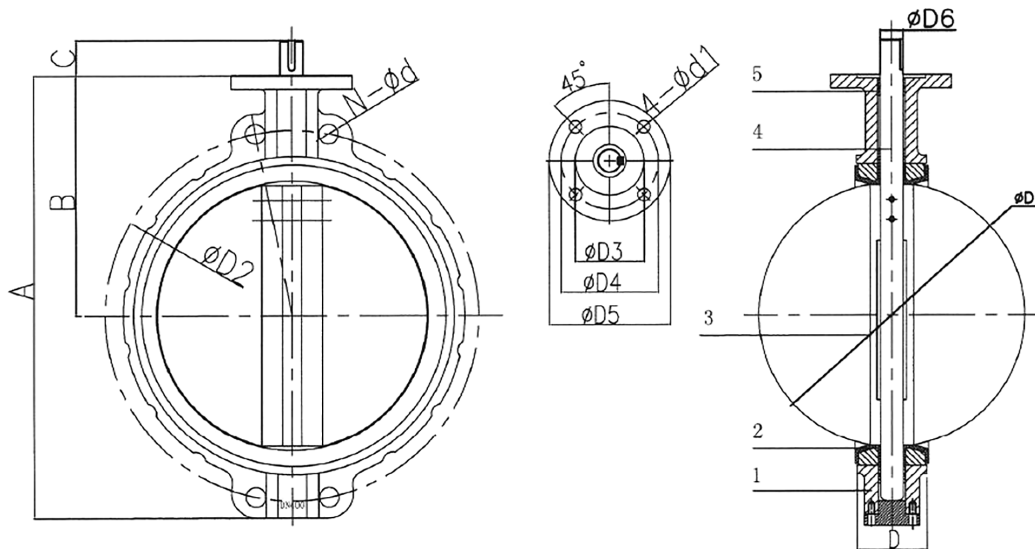
## DN400 - DN500



### Dimensions table

DN	D1	D2 PN10	D2 PN16	D3	D4	D5	D6	N-d PN10	N-d PN16	4-d1	A	B	C	D
400	389.6	515	525	100	140	175	33.15	4-26	4-30	4-18	660	350	51	102
450	440.5	565	585	100	140	175	37.95	4-26	4-30	4-18	710	375	51	114
500	491.6	620	650	100	140	175	41.12	4-26	4-30	4-18	793	421	57	127

## DN600



### Dimensions table

DN	D1	D2 PN10	D2 PN16	D3	D4	D5	D6	4-d1	A PN10	A PN16	B	C	D
600	592.5	725	770	130	165	210	50.62	4-22	1020	1022	562	70	154

Utilities Valves reserves the right to change product design and specification without notice

